



+27(0) 21 591 8019
info@allmag.co.za
Unit 7
Klein Oostersee Centre
53 Friesland St
Oostersee
Cape Town
7500

DRD RUBBER MOUNTS



The DRD type mounts have a low axial and radial stiffness rate. Their design makes them ideal for those machines that produce vibrations in the 3 directions. The architecture of these mounts is similar to the DSD, but the rubber section is greater, this feature makes them have a lower stiffness rate than the DSD mounts. These mounts are particularly interesting for those applications where an extra isolation is needed.

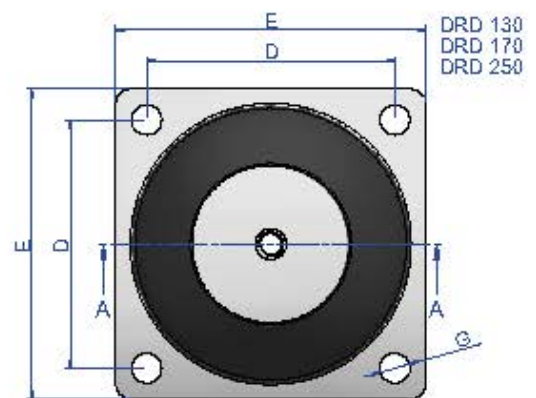
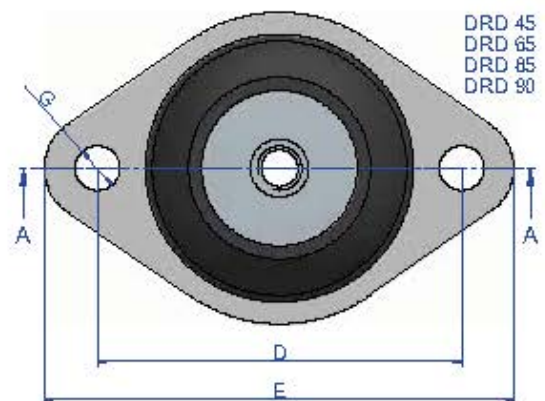
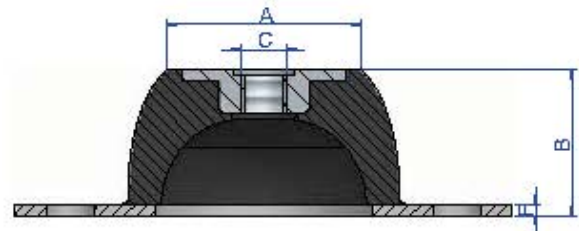
OPERATION AND ASSEMBLY

The design of the mount allows an easy installation. The top metal part has an inside thread for securing to the machine, the baseplate has 2/4 holes that allow an easy fixation to the frame. Oil anti-drip hoods can be supplied on demand.

APPLICATIONS

The DRD mounts are ideal for light machines at medium or low excitation frequencies.

- Compressors
- Air-conditioners
- Ventilators
- Vibrating Tables



Rubber Mounts

Description	Motor Model	A (mm.)	B (mm.)	C	D (mm.)	E (mm.)	F (mm.)	G (mm.)
DRD 65 Mount 45SJ-175001 Rated to carry 40Kg each	MVE100/3	52	35	M10	92	114	2,5	10,5
DRD 65 Mount 60SH-175002 Rated to carry 75Kg each	MVE200/3	52	35	M10	92	114	2,5	10,5
DRD 85 Mount 60SH-175004 Rated to carry 120Kg each	MVE300/3	52	40	M10	110	136	3	11,5
M200A Mount 40SH Rated to carry 130Kg each	MVE400/3	57,5	45	M10	125	150	3	12,5
DRD 90 Mount 60SH-175022 Rated to carry 220Kg each	MVE500/3	57,5	45	M10	125	150	3	12,5