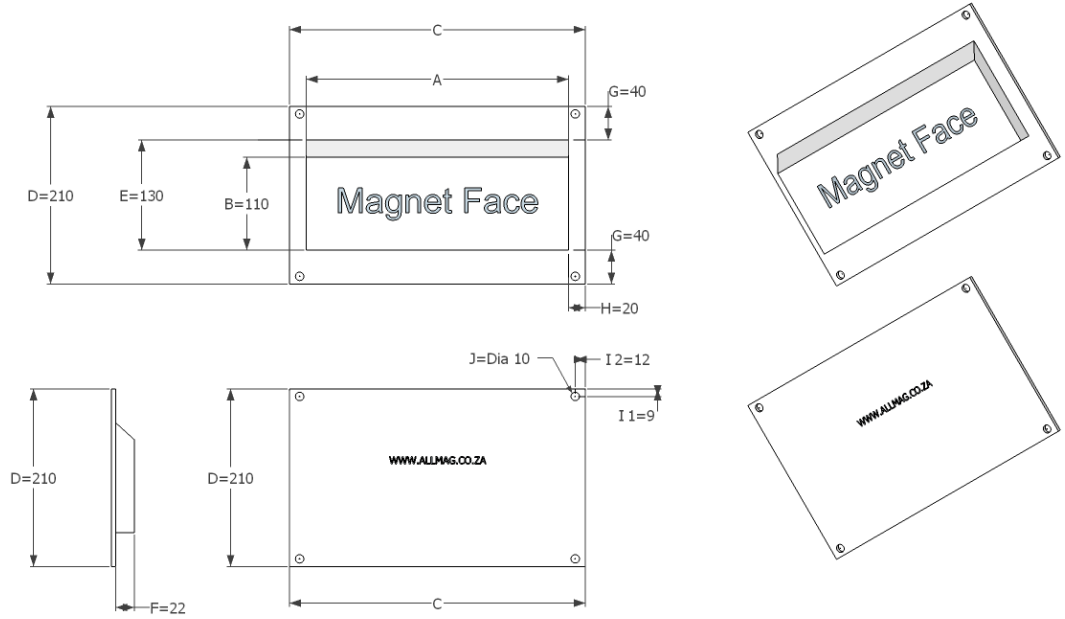


# High Intensity Rare Earth Plate Magnet (SEW)

High Intensity Rare Earth Plate Magnet (with 4x holes on corners)  
For installation in WET environments



## Dimensions (mm)

Model (For Wet Products)	A	B	C	D	E	F	G	H	I1 / I2	J
Plate Magnet 110 x 110 SEW	110	110	150	210	130	22	40	20	9 / 12	Dia 10
Plate Magnet 135 x 110 SEW	135	110	175	210	130	22	40	20	9 / 12	Dia 10
Plate Magnet 160 x 110 SEW	160	110	200	210	130	22	40	20	9 / 12	Dia 10
Plate Magnet 185 x 110 SEW	185	110	225	210	130	22	40	20	9 / 12	Dia 10
Plate Magnet 210 x 110 SEW	210	110	250	210	130	22	40	20	9 / 12	Dia 10
Plate Magnet 235 x 110 SEW	235	110	275	210	130	22	40	20	9 / 12	Dia 10
Plate Magnet 260 x 110 SEW	260	110	300	210	130	22	40	20	9 / 12	Dia 10
Plate Magnet 285 x 110 SEW	285	110	325	210	130	22	40	20	9 / 12	Dia 10
Plate Magnet 310 x 110 SEW	310	110	350	210	130	22	40	20	9 / 12	Dia 10
Plate Magnet 335 x 110 SEW	335	110	375	210	130	22	40	20	9 / 12	Dia 10
Plate Magnet 360 x 110 SEW	360	110	400	210	130	22	40	20	9 / 12	Dia 10
Plate Magnet 385 x 110 SEW	385	110	425	210	130	22	40	20	9 / 12	Dia 10
Plate Magnet 410 x 110 SEW	410	110	450	210	130	22	40	20	9 / 12	Dia 10
Plate Magnet 435 x 110 SEW	435	110	475	210	130	22	40	20	9 / 12	Dia 10
Plate Magnet 460 x 110 SEW	460	110	500	210	130	22	40	20	9 / 12	Dia 10
Plate Magnet 485 x 110 SEW	485	110	525	210	130	22	40	20	9 / 12	Dia 10
Plate Magnet 510 x 110 SEW	510	110	550	210	130	22	40	20	9 / 12	Dia 10
Plate Magnet 535 x 110 SEW	535	110	575	210	130	22	40	20	9 / 12	Dia 10
Plate Magnet 560 x 110 SEW	560	110	600	210	130	22	40	20	9 / 12	Dia 10
Plate Magnet 585 x 110 SEW	585	110	625	210	130	22	40	20	9 / 12	Dia 10
Plate Magnet 610 x 110 SEW	610	110	650	210	130	22	40	20	9 / 12	Dia 10
Plate Magnet 635 x 110 SEW	635	110	675	210	130	22	40	20	9 / 12	Dia 10
Plate Magnet 660 x 110 SEW	660	110	700	210	130	22	40	20	9 / 12	Dia 10

We also do larger sizes, please feel free to contact our technical sales for more info and installation advise

Allmag magnets to be manufactured as follows:

- Type: Rare Earth Permanent Plate Magnets (NdFeB Grade n 42)
- Assembly: Total construction in 304 Stainless Steel (316 available on request)

- **Finish: Totally Seal Welded and finished to sanitary standards (for wet applications)**
- **Permanent magnets does not lose their strength even under continuous use**
- **Certification for food quality product standards available on request**
- **GA Drawings can be supplied for final approval before manufacturing**

**Note: Dimensions with a coarse degree of accuracy.**

**Dimensions and information is supplied without warrantee, representation, inducement or license It is accurate to the best of Allmag's knowledge Allmag Industries therefore assume no legal responsibility**



**+27(0) 21 591 8019**

**info@allmag.co.za**

**Unit 7**

**Klein Oostersee Centre**

**53 Friesland St**

**Oostersee**

**Cape Town**

**7500**