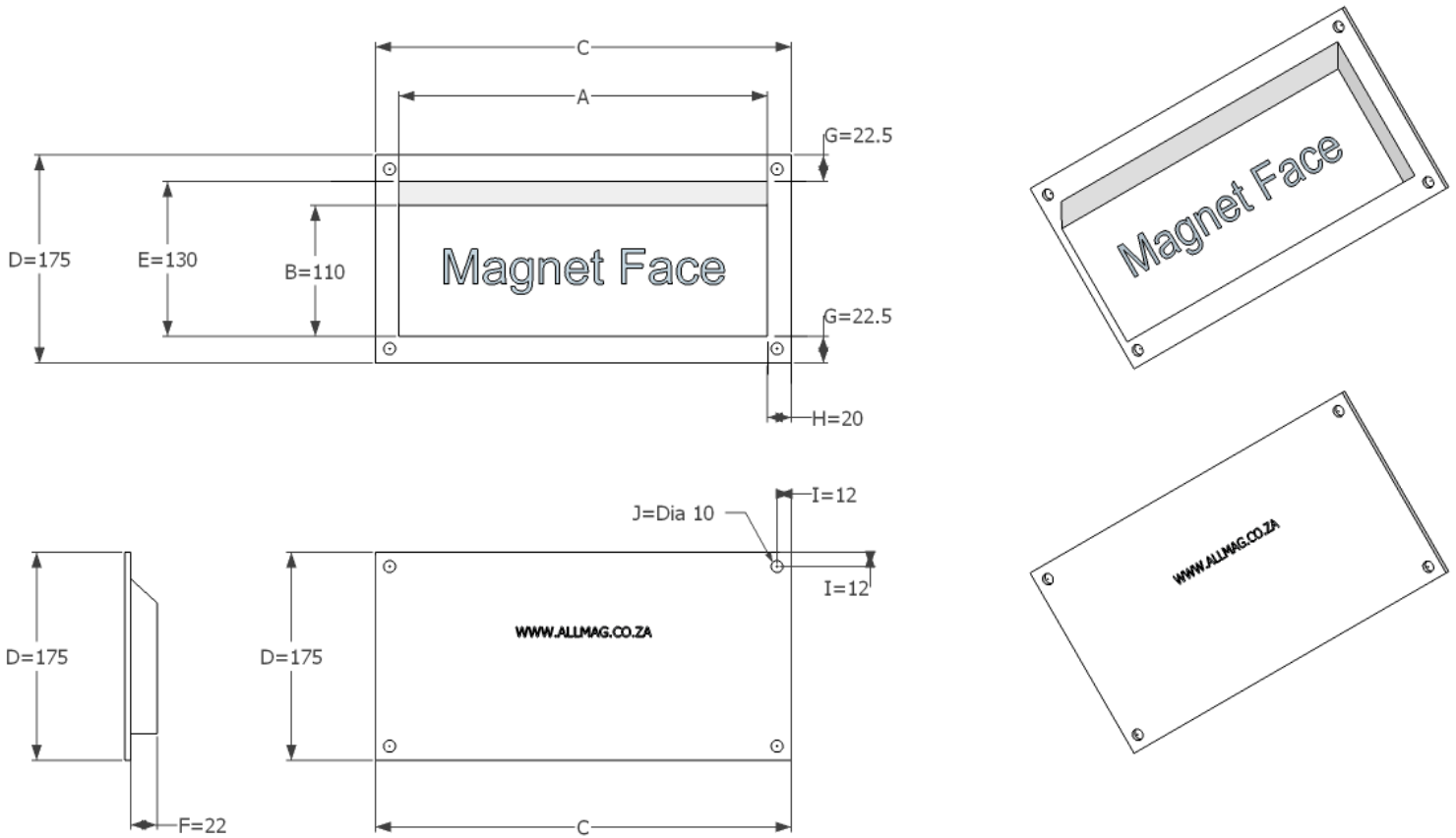


# High Intensity Rare Earth Plate Magnet (SE)



**High Intensity Rare Earth Plate Magnet (with 4x holes on corners)  
Standard Installation - Dry environment**

Model (For Dry Products)	Dimensions (mm)									
	A	B	C	D	E	F	G	H	I	J
Plate Magnet 110 x 110 SE	110	110	150	175	130	22	22.5	20	12	Dia 10
Plate Magnet 135 x 110 SE	135	110	175	175	130	22	22.5	20	12	Dia 10
Plate Magnet 160 x 110 SE	160	110	200	175	130	22	22.5	20	12	Dia 10
Plate Magnet 185 x 110 SE	185	110	225	175	130	22	22.5	20	12	Dia 10
Plate Magnet 210 x 110 SE	210	110	250	175	130	22	22.5	20	12	Dia 10
Plate Magnet 235 x 110 SE	235	110	275	175	130	22	22.5	20	12	Dia 10
Plate Magnet 260 x 110 SE	260	110	300	175	130	22	22.5	20	12	Dia 10
Plate Magnet 285 x 110 SE	285	110	325	175	130	22	22.5	20	12	Dia 10
Plate Magnet 310 x 110 SE	310	110	350	175	130	22	22.5	20	12	Dia 10
Plate Magnet 335 x 110 SE	335	110	375	175	130	22	22.5	20	12	Dia 10
Plate Magnet 360 x 110 SE	360	110	400	175	130	22	22.5	20	12	Dia 10
Plate Magnet 385 x 110 SE	385	110	425	175	130	22	22.5	20	12	Dia 10
Plate Magnet 410 x 110 SE	410	110	450	175	130	22	22.5	20	12	Dia 10
Plate Magnet 435 x 110 SE	435	110	475	175	130	22	22.5	20	12	Dia 10
Plate Magnet 460 x 110 SE	460	110	500	175	130	22	22.5	20	12	Dia 10
Plate Magnet 485 x 110 SE	485	110	525	175	130	22	22.5	20	12	Dia 10
Plate Magnet 510 x 110 SE	510	110	550	175	130	22	22.5	20	12	Dia 10
Plate Magnet 535 x 110 SE	535	110	575	175	130	22	22.5	20	12	Dia 10
Plate Magnet 560 x 110 SE	560	110	600	175	130	22	22.5	20	12	Dia 10
Plate Magnet 585 x 110 SE	585	110	625	175	130	22	22.5	20	12	Dia 10
Plate Magnet 610 x 110 SE	610	110	650	175	130	22	22.5	20	12	Dia 10
Plate Magnet 635 x 110 SE	635	110	675	175	130	22	22.5	20	12	Dia 10
Plate Magnet 660 x 110 SE	660	110	700	175	130	22	22.5	20	12	Dia 10

We also do larger sizes, please feel free to contact our technical sales for more info and installation advise

Allmag magnets to be manufactured as follows:

- Type: Rare Earth Permanent Plate Magnets (NdFeB Grade n 42)
- Assembly: Total construction in 304 Stainless Steel (316 available on request)
- Finish: Finished to sanitary standards - Dry area installation
- Permanent magnets does not lose their strength even under continuous use
- Certification for food quality product standards available on request
- GA Drawings can be supplied for final approval before manufacturing

Note: Dimensions with a coarse degree of accuracy.

Dimensions and information is supplied without warrantee, representation, inducement or license It is accurate to the best of Allmag's knowledge  
Allmag Industries therefore assume no legal responsibility



**+27(0) 21 591 8019**

**info@allmag.co.za**

**Unit 7**

**Klein Oostersee Centre**

**53 Friesland St**

**Oostersee**

**Cape Town**

**7500**