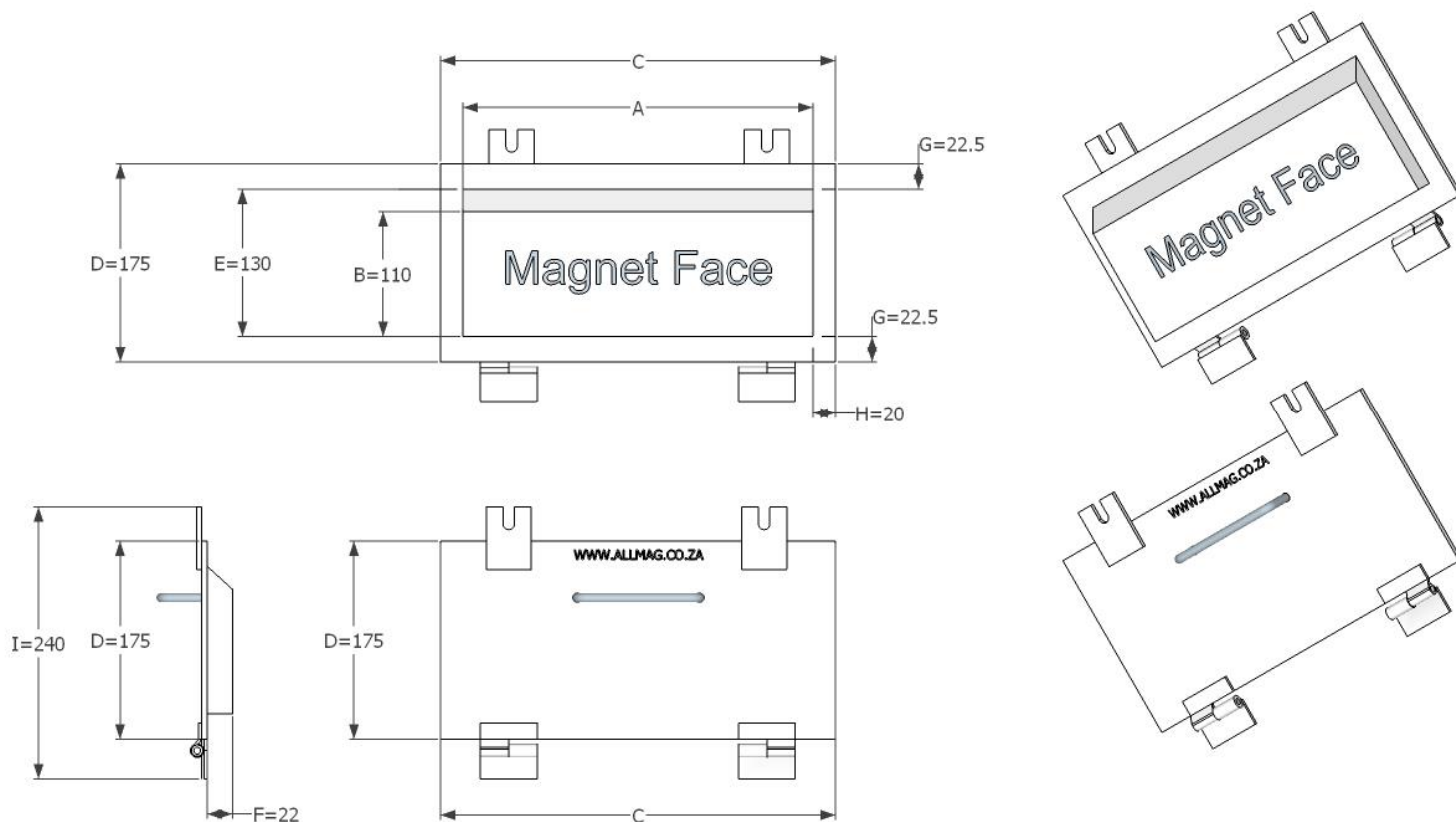


High Intensity Rare Earth Plate Magnet (HHL)



**High Intensity Rare Earth Plate Magnet
(complete with handles, hinges and lugs)**

Model	Dimensions (mm)								
	A	B	C	D	E	F	G	H	I
Plate Magnet 110 x 110 HHL	110	110	150	175	130	22	22.5	20	240
Plate Magnet 135 x 110 HHL	135	110	175	175	130	22	22.5	20	240
Plate Magnet 160 x 110 HHL	160	110	200	175	130	22	22.5	20	240
Plate Magnet 185 x 110 HHL	185	110	225	175	130	22	22.5	20	240
Plate Magnet 210 x 110 HHL	210	110	250	175	130	22	22.5	20	240
Plate Magnet 235 x 110 HHL	235	110	275	175	130	22	22.5	20	240
Plate Magnet 260 x 110 HHL	260	110	300	175	130	22	22.5	20	240
Plate Magnet 285 x 110 HHL	285	110	325	175	130	22	22.5	20	240
Plate Magnet 310 x 110 HHL	310	110	350	175	130	22	22.5	20	240
Plate Magnet 335 x 110 HHL	335	110	375	175	130	22	22.5	20	240
Plate Magnet 360 x 110 HHL	360	110	400	175	130	22	22.5	20	240
Plate Magnet 385 x 110 HHL	385	110	425	175	130	22	22.5	20	240
Plate Magnet 410 x 110 HHL	410	110	450	175	130	22	22.5	20	240
Plate Magnet 435 x 110 HHL	435	110	475	175	130	22	22.5	20	240
Plate Magnet 460 x 110 HHL	460	110	500	175	130	22	22.5	20	240
Plate Magnet 485 x 110 HHL	485	110	525	175	130	22	22.5	20	240
Plate Magnet 510 x 110 HHL	510	110	550	175	130	22	22.5	20	240
Plate Magnet 535 x 110 HHL	535	110	575	175	130	22	22.5	20	240
Plate Magnet 560 x 110 HHL	560	110	600	175	130	22	22.5	20	240
Plate Magnet 585 x 110 HHL	585	110	625	175	130	22	22.5	20	240
Plate Magnet 610 x 110 HHL	610	110	650	175	130	22	22.5	20	240
Plate Magnet 635 x 110 HHL	635	110	675	175	130	22	22.5	20	240
Plate Magnet 660 x 110 HHL	660	110	700	175	130	22	22.5	20	240

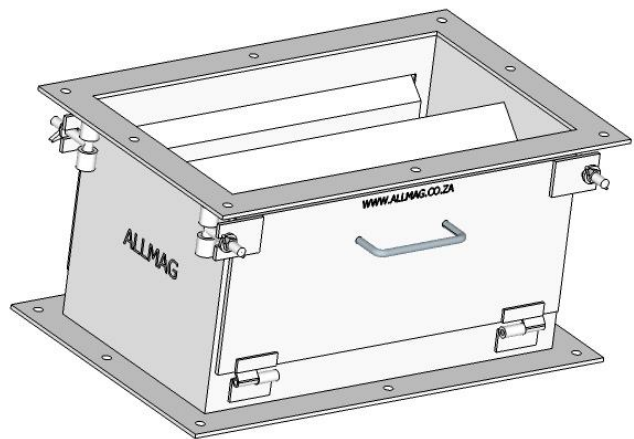
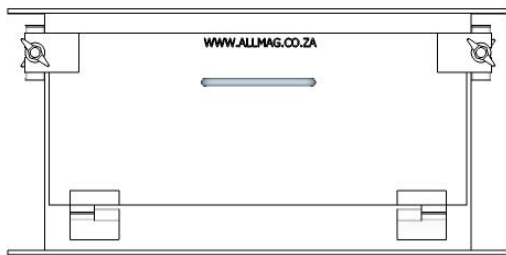
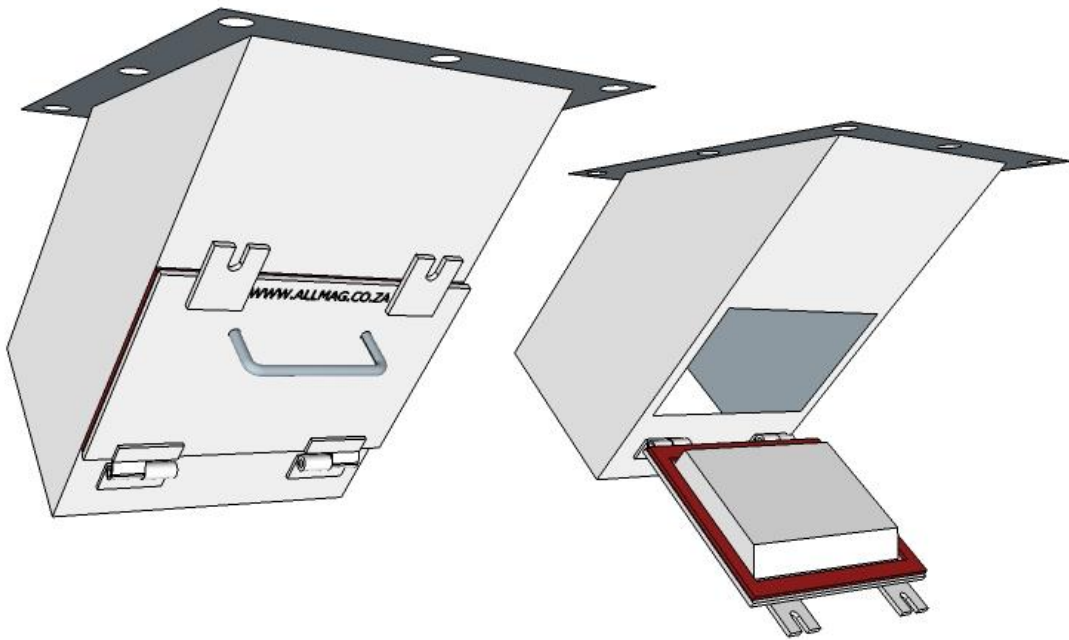
We also do larger sizes, please feel free to contact our technical sales for more info and installation advise

Allmag magnets to be manufactured as follows:

- Type: Rare Earth Permanent Plate Magnets (NdFeB Grade n 42)
- Assembly: Total construction in 304 Stainless Steel (316 available on request)
- Finish: Seal Welded and finished to sanitary standards
- Permanent magnets does not lose their strength even under continuous use
- Certification for food quality product standards available on request
- GA Drawings can be supplied for final approval before manufacturing

Note: Dimensions with a coarse degree of accuracy.

Dimensions and information is supplied without warrantee, representation, inducement or license It is accurate to the best of Allmag's knowledge Allmag Industries therefore assume no legal responsibility



+27(0) 21 591 8019
info@allmag.co.za
Unit 7
Klein Oostersee Centre
53 Friesland St
Oostersee
Cape Town
7500