



- » II3 D Ex ID A22 Tx IP66
- » TÜV NORD Statement Conformity Number TUV 05 ATEX 2768X
- » Equipment and protective system intended for use in potentially explosive atmospheres (Zone 22) - Directive 94/9/EC
- » Compliance with Essential Health and Safety Requirements
- » IEC 60079-10-2



MVE STANDARD RANGE



8 POLES - 750/900 rpm



Wm (kgcm)	Model		Centrifugal Force (kg)		Weight (kg)		ELECTRICAL SPECIFICATIONS							CERTIFICATE		
							Input Power (kW)		Nominal Current A max (Y)		Ia / In		Cable	Class II Div.2	Ex II3D	
							50Hz	60Hz	50Hz (400V)	60Hz (460V)	50Hz	60Hz				Gland
33.39	MVE 150/075	MVE 150/090	105	151	21.4	0.23	0.25	1.14	1.14	1.5	1.5	M20	T4	100°C		
56.93	MVE 250/075	MVE 250/090	179	257	29.5	0.35	0.38	1.15	1.15	1.7	1.7	M20	T4	100°C		
84.02	MVE 400/075	MVE 400/090	264	380	35.0	0.35	0.38	1.15	1.15	1.9	1.9	M20	T4	100°C		
137.31	MVE 650/075	MVE 650/090	431	621	64.7	0.50	0.60	1.20	1.20	2.2	2.2	M25	T4	135°C		
187.72	MVE 900/075	MVE 900/090	589	849	71.0	0.65	0.78	1.23	1.29	2.5	2.5	M25	T4	135°C		
299.60	MVE 1300/075	MVE 1300/090	941	1355	99.8	1.20	1.10	2.50	1.83	3.0	3.0	M25	T4	135°C		
467.41	MVE 2100/075	MVE 2100/090	1468	2114	150.4	1.50	1.80	2.81	2.89	4.2	4.1	M32	T4	135°C		
680.34	MVE 3100/075	MVE 3100/090	2137	3077	212.2	2.00	2.30	3.79	3.77	4.0	4.0	M32	T4	135°C		
838.43	MVE 3800/075	MVE 3800/090	2633	3792	230.2	2.50	3.00	6.00	6.00	3.9	4.0	M32	T4	135°C		
929.74	MVE 4200/075	MVE 4200/090	2920	4205	284.5	2.90	3.40	6.50	6.50	3.8	3.7	M32	T4	135°C		
1165.22	MVE 5300/075	MVE 5300/090	3660	5270	305	4.00	4.30	8.50	8.00	3.8	4.2	M32	T4	135°C		
1435.85	MVE 6500/075	MVE 6500/090	4510	6494	324.4	5.00	5.90	10.00	10.00	3.6	4.0	M32	T4	135°C		
								A max (Δ)								
2200.43	MVE 10000/075	MVE 10000/090	6911	9952	422.2	6.80	7.50	13.50	12.5	3.5	4.2	M32	T4	135°C		
2835	2553	MVE 12000/075	MVE 12000/090	8904	11546	571	553	7.5	8	13.5	13.5	3.8	4.0	M32	-	135°C
3713	3220	MVE 14000/075	MVE 14000/090	11661	14563	751	725	9.0	10.6	19	19	4.5	5.0	M32	-	135°C
4401	3920	MVE 17000/075	MVE 17000/090	13822	17729	812	792	9.1	11	20	20	5.3	5.8	M32	-	135°C
5857	4999	MVE 22000/075	MVE 22000/090	18395	22610	982	937	13.8	16.5	28	28	5.6	5.2	M32	-	135°C
-	5857	NA	MVE 26000/090	-	26489	-	982	-	16.5	-	28	-	5.2	M32	-	135°C



UP TO SIZE 90 (INCLUDED)
60Hz masses = 50Hz masses adjusted at 100%



ABOVE SIZE 90 (NOT INCLUDED)
Specific masses for 60Hz

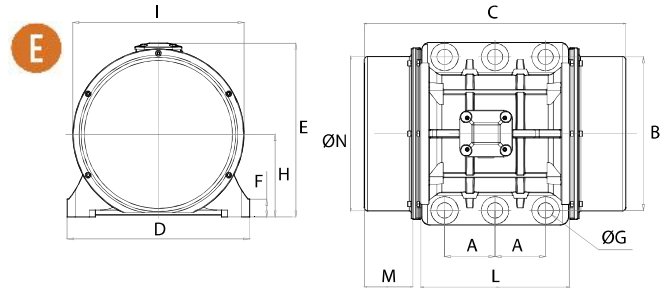
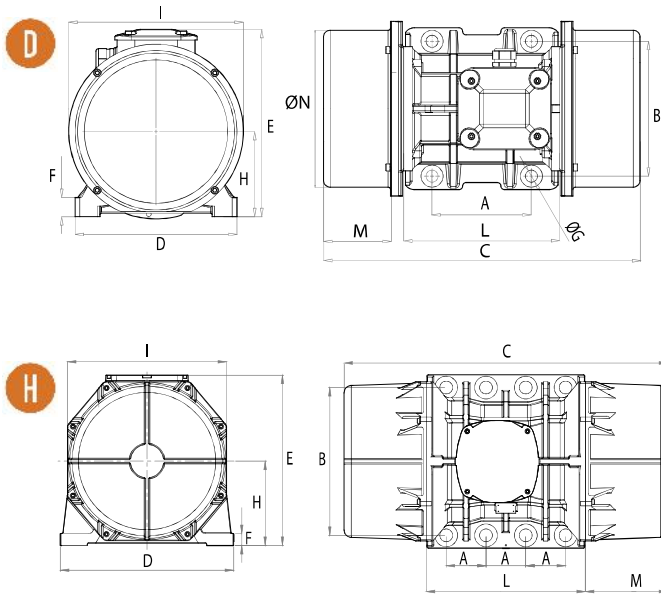
To convert kg into Newton: $N = 9.81 \cdot kg$



» Declaration of conformity "type B" according to:
2006/95/EC - 2004/108/EC - 2006/42/EC - EN 60034-1



» Class II Div.2 Group F, G - T4 - NEMA 4
» Conform to UL 1836, UL1004-1 Cert. CSA C22.2 N. 25, 100, 145
» Intertek ETL - SEMCO File Number 3177001



Model		Drawing	Size	DIMENSIONAL SPECIFICATIONS (mm)														
				C		M		A	B	Ø G	Holes	D	E	F	H	I	L	N
				50Hz	60Hz	50Hz	60Hz											
MVE 150/075	MVE 150/090	D	40	334	78	105	140	13	4	168	196	22	92	169	178	158		
MVE 250/075	MVE 250/090	D	50	391	93	120	170	17	4	208	210	22	94	180	205	170		
MVE 400/075	MVE 400/090	D	50	451	123	120	170	17	4	208	210	22	94	180	205	170		
MVE 650/075	MVE 650/090	D	60	446	96	140	190	17	4	229	262	30	120	247	220	222		
MVE 900/075	MVE 900/090	D	60	510	129	140	190	17	4	229	262	30	120	247	220	222		
MVE 1300/075	MVE 1300/090	D	70	556	140	155	225	22	4	272	295	40	140	267	250	235		
MVE 2100/075	MVE 2100/090	D	75	708	200	155	255	23.5	4	302	318	35	147	295	273	264		
MVE 3100/075	MVE 3100/090	D	80	683	170	180	280	26	4	332	360	37	167	345	304	310		
MVE 3800/075	MVE 3800/090	D	80	733	195	180	280	26	4	332	360	37	167	345	304	310		
MVE 4200/075	MVE 4200/090	D	85	688	160	200	320	28	4	378	410	49	199	422	325	378		
MVE 5300/075	MVE 5300/090	D	85	688	160	200	320	28	4	378	410	49	199	422	325	378		
MVE 6500/075	MVE 6500/090	D	85	788	210	200	320	28	4	378	410	49	199	422	325	378		
MVE 10000/075	MVE 10000/090	E	90	926	260	125	380	39	6	452	430	44	204	422	367	378		
MVE 12000/075	MVE 12000/090	E	100	1020	275	140	440	45	6	530	484	37	232	446	470	424		
MVE 14000/075	MVE 14000/090	H	105	1060	250	140	480	45	8	570	542	48	268	510	560	490		
MVE 17000/075	MVE 17000/090	H	105	1120	280	140	480	45	8	570	542	48	268	510	560	490		
MVE 22000/075	MVE 22000/090	H	110	1130	285	140	520	45	8	610	594	42	297	560	560	530		
NA	MVE 26000/090	H	110	1130	285	140	520	45	8	610	594	42	297	560	560	530		

NOTE: Dimensions with coarse degree of accuracy related to UNI 22768/1

This information is furnished without warranty, representation, inducement or license of any kind. It is accurate to the best OLI knowledge or is obtained from sources believed to be accurate. OLI therefore assumes no legal responsibility.

STANDARD

INCREASED SAFETY

EXPLOSION PROOF

HI-STROKE MILLING