



- » II3 D Ex ID A22 Tx IP66
- » TÜV NORD Statement Conformity Number TUV 05 ATEX 2768X
- » Equipment and protective system intended for use in potentially explosive atmospheres (Zone 22) - Directive 94/9/EC
- » Compliance with Essential Health and Safety Requirements
- » IEC 60079-10-2



MVE STANDARD RANGE



2 POLES SINGLE PHASE- 3000/3600 rpm



Wm (kgcm)		Model		Centrifugal Force (kg)		Weight (kg)		ELECTRICAL SPECIFICATIONS								CERTIFICATE		
								Input Power (kW)		Nominal Current A max		Ia / In		Cable	Capacitor		Class II Div.2	Ex II3D
50Hz	60Hz	50Hz	60Hz	50Hz	60Hz	50Hz	60Hz	50Hz	60Hz	50Hz (400V)	60Hz (460V)	50Hz	60Hz	Gland	50Hz (230V)	60Hz (115V)	Temp. Class	Temp. Class
1.31	0.98	MVE 60/3M		66	71	4.2		0.08	0.09	0.43	3.0	3.0	3.0	M16	3 µF	6.3 µF	T4	100°C
1.96	1.31	MVE 100/3M		98	95	4.6		0.1	0.11	0.54	3.0	3.0	3.0	M16	4 µF	8 µF	T4	100°C
3.72	2.61	MVE 200/3M		187	189	7.0		0.18	0.21	1.14	3.30	3.3	3.30	M20	8 µF	16 µF	T4	100°C
3.72	2.61	MVE 202/3M		187	189	7.2		0.18	0.21	1.14	3.30	3.3	3.30	M20	8 µF	16 µF	T4	100°C
6.39	4.46	MVE 300/3M		321	323	9.8		0.27	0.28	1.58	3.50	3.60	3.50	M20	12.5 µF	25 µF	T4	100°C

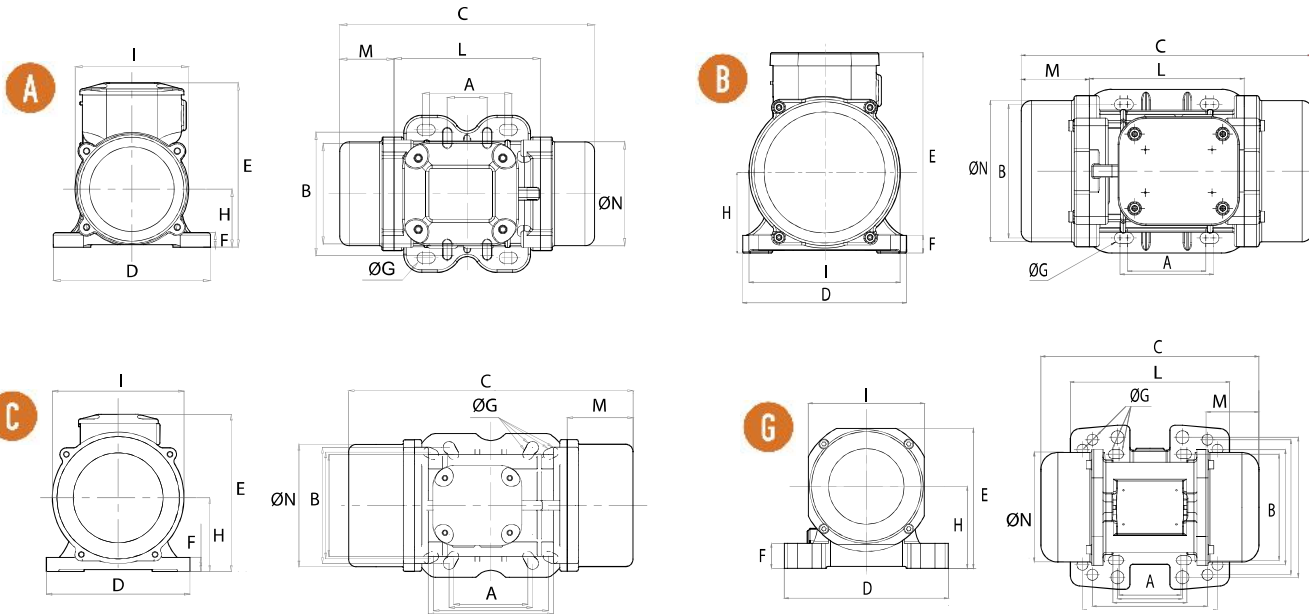
To convert kg into Newton: $N = 9.81 \cdot kg$



» Declaration of conformity "type B" according to:
2006/95/EC - 2004/108/EC - 2006/42/EC - EN 60034-1



» Class II Div.2 Group F, G - T4 - NEMA 4
» Conform to UL 1836, UL1004-1 Cert. CSA C22.2 N. 25, 100, 145
» Intertek ETL - SEMCO File Number 3177001



Model		Drawing	Size	DIMENSIONAL SPECIFICATIONS (mm)														
				C		M		A	B	ØG	Holes	D	E	F	H	I	L	N
50Hz	60Hz			50Hz	60Hz	50Hz	60Hz				N°							
MVE 60/3M		A	10	211		45		Multiple Footprint			4	130	136	12	48	94	121	85
								62-74	106	9								
MVE 100/3M		A	10	211		45		33 83-102 7			4	130	136	12	48	94	121	85
								62-74 106 9										
MVE 200/3M		B	20	231		54		62-74	106	9	4	131	159	15	64	121	123	112
								Multiple Footprint										
MVE 202/3M		G	23	218		53		Multiple Footprint			4	164	140	25	82	116	159	110
								80 110 11										
								90 125 13										
								124 110 11										
MVE 300/3M		C	30	273		55		Multiple Footprint			4	154	175	15	79	142	163	131
								62-74 106 9										
								65 140 13										
								115 135 11										
								135 115 11										

NOTE: Dimensions with coarse degree of accuracy related to UNI 22768/1

This information is furnished without warranty, representation, inducement or license of any kind. It is accurate to the best OLI knowledge or is obtained from sources believed to be accurate. OLI therefore assumes no legal responsibility.

STANDARD

INCREASED SAFETY

EXPLOSION PROOF

HI-STROKE MILLING